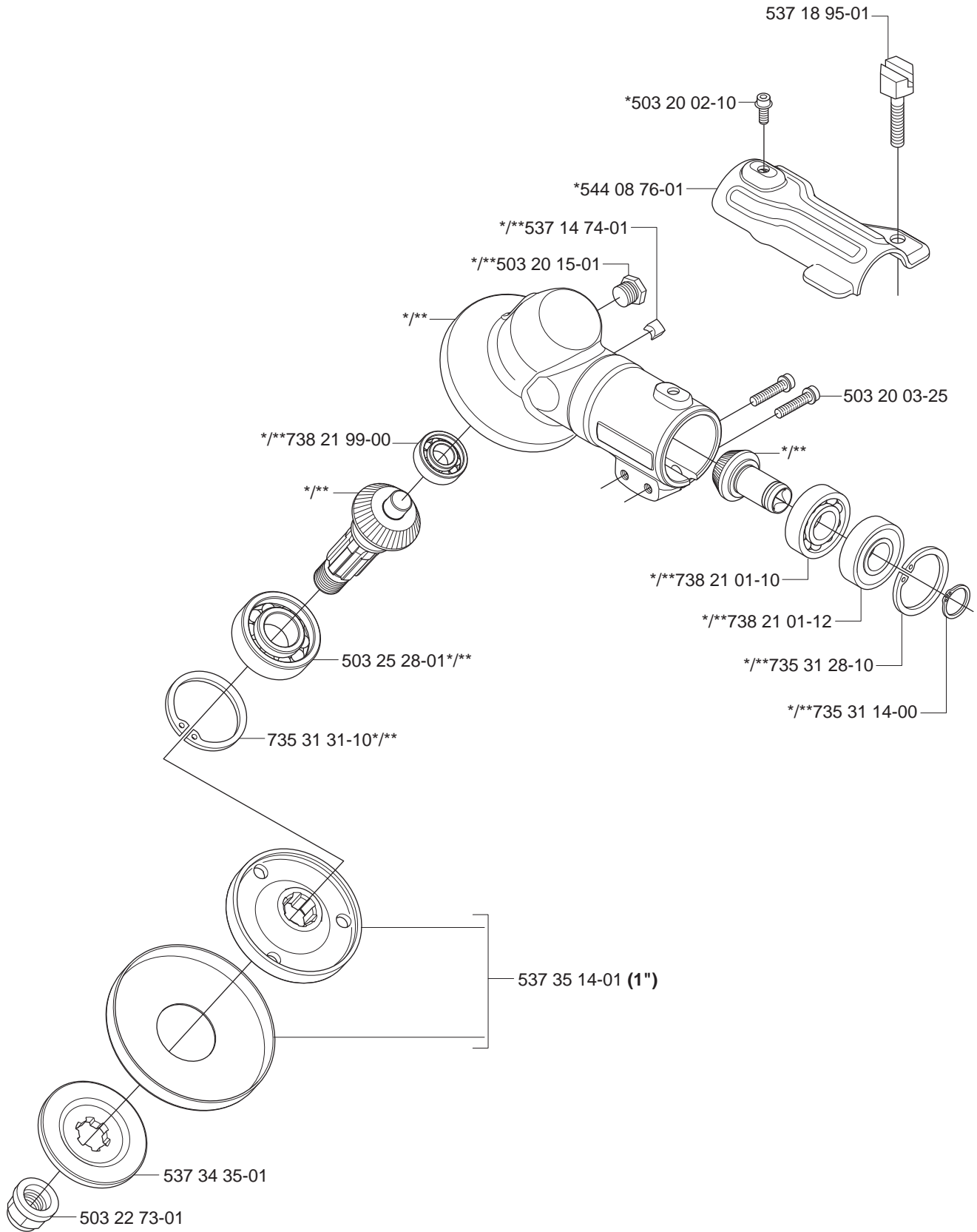
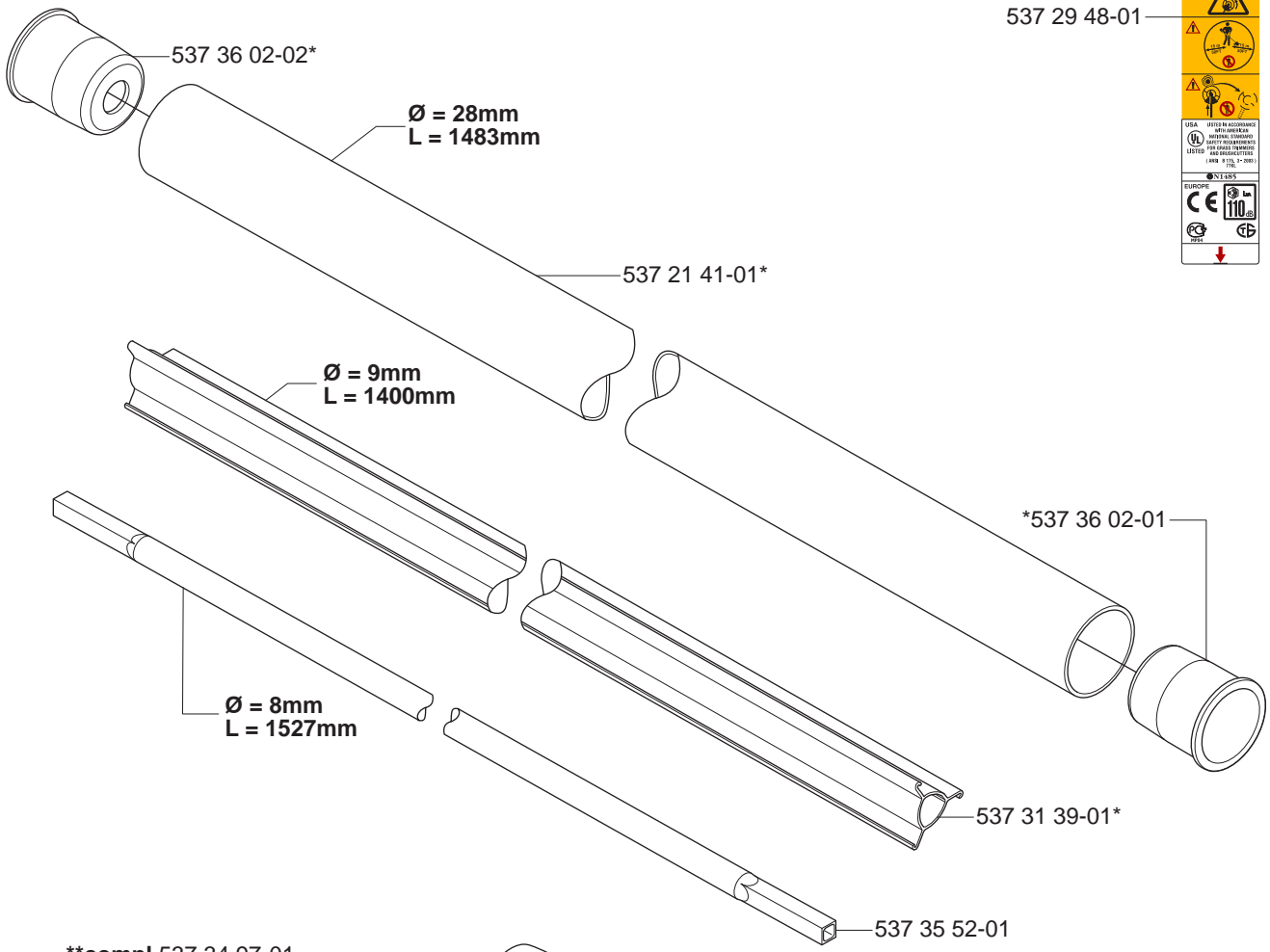


A *compl 544 21 64-01 (333R, 335Rx) (1:1.4)
**compl 537 29 58-02 (333RJ, 335RJx, 335Lx, 335LS) (1:1.29)

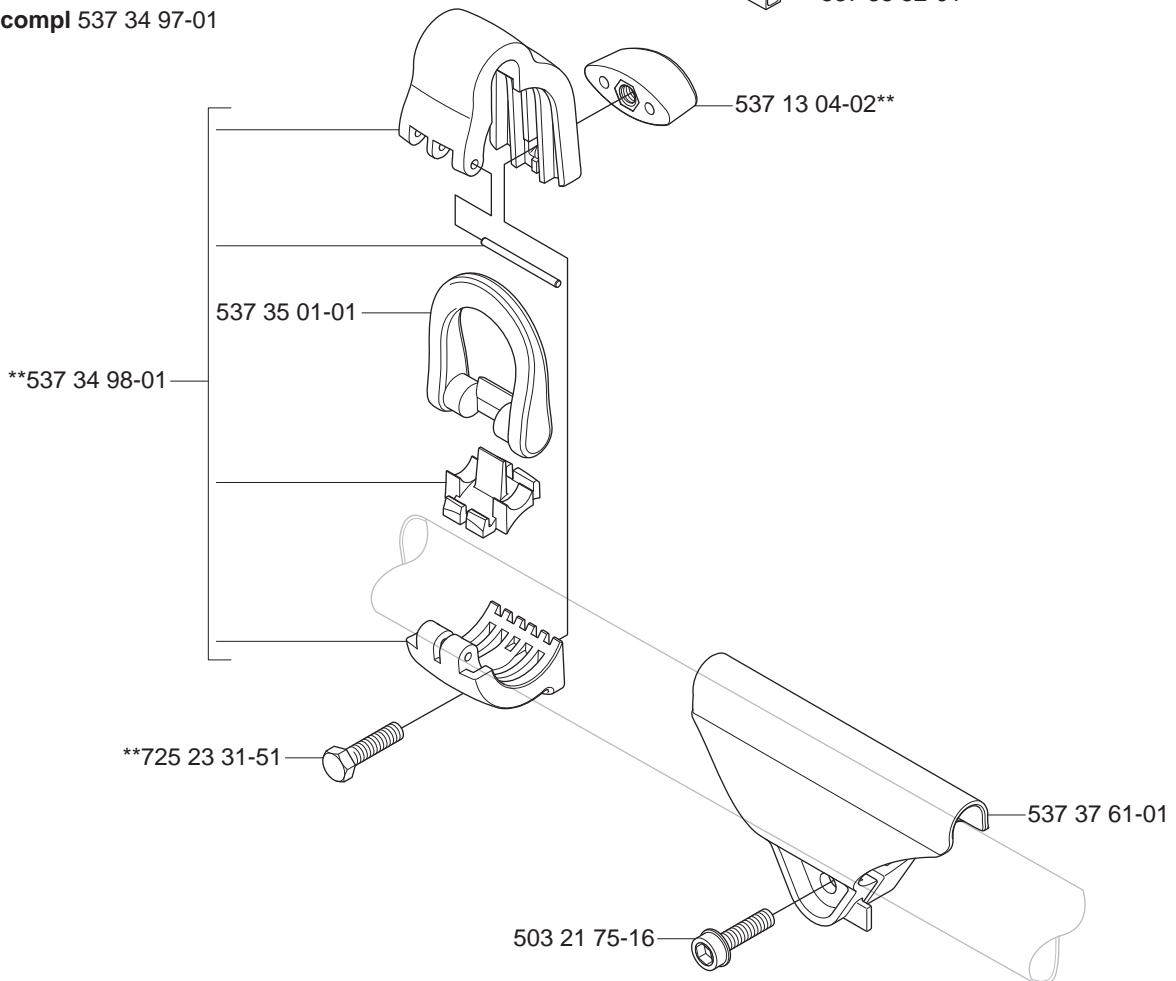


B

*compl 537 21 42-01(333R, 335Rx)

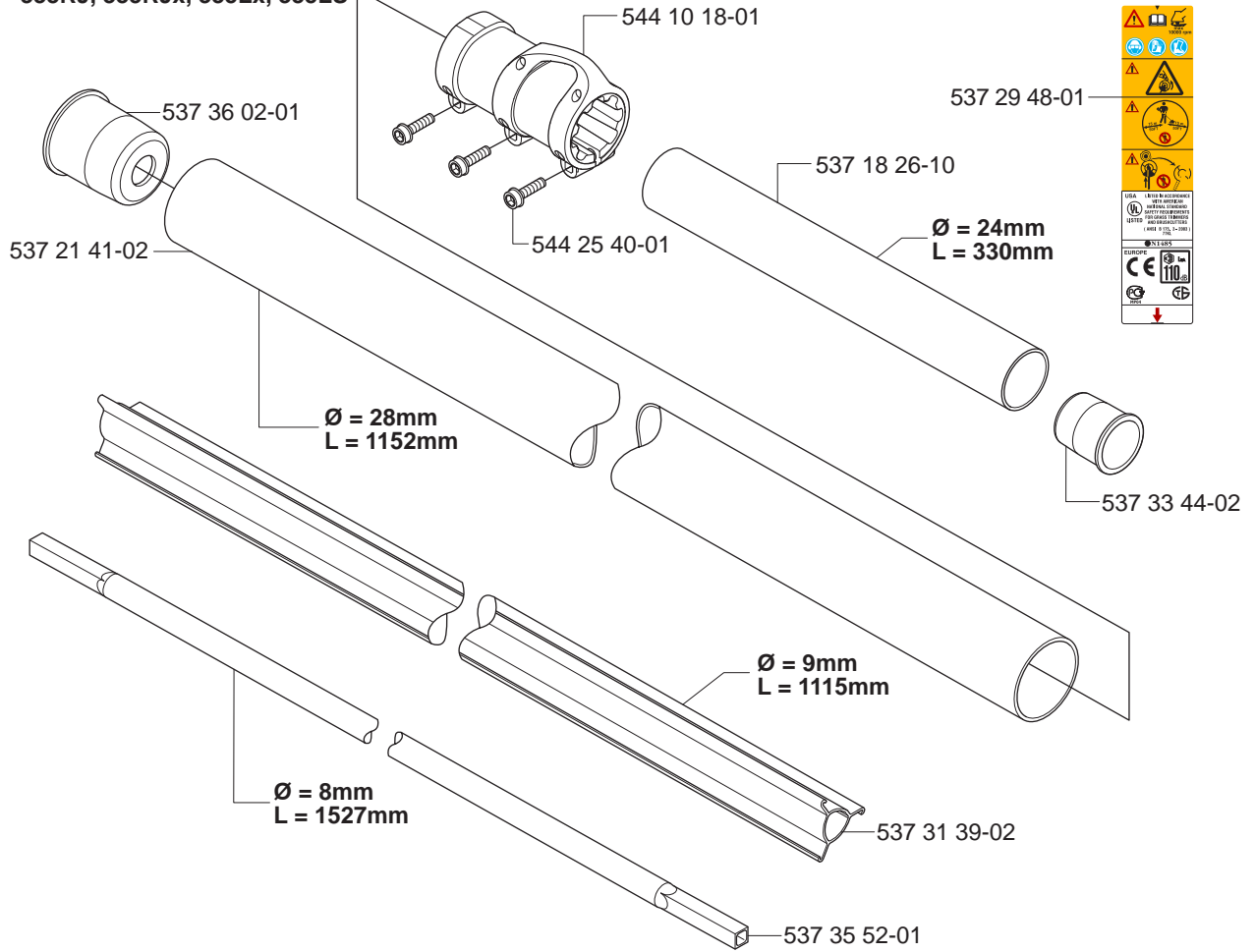
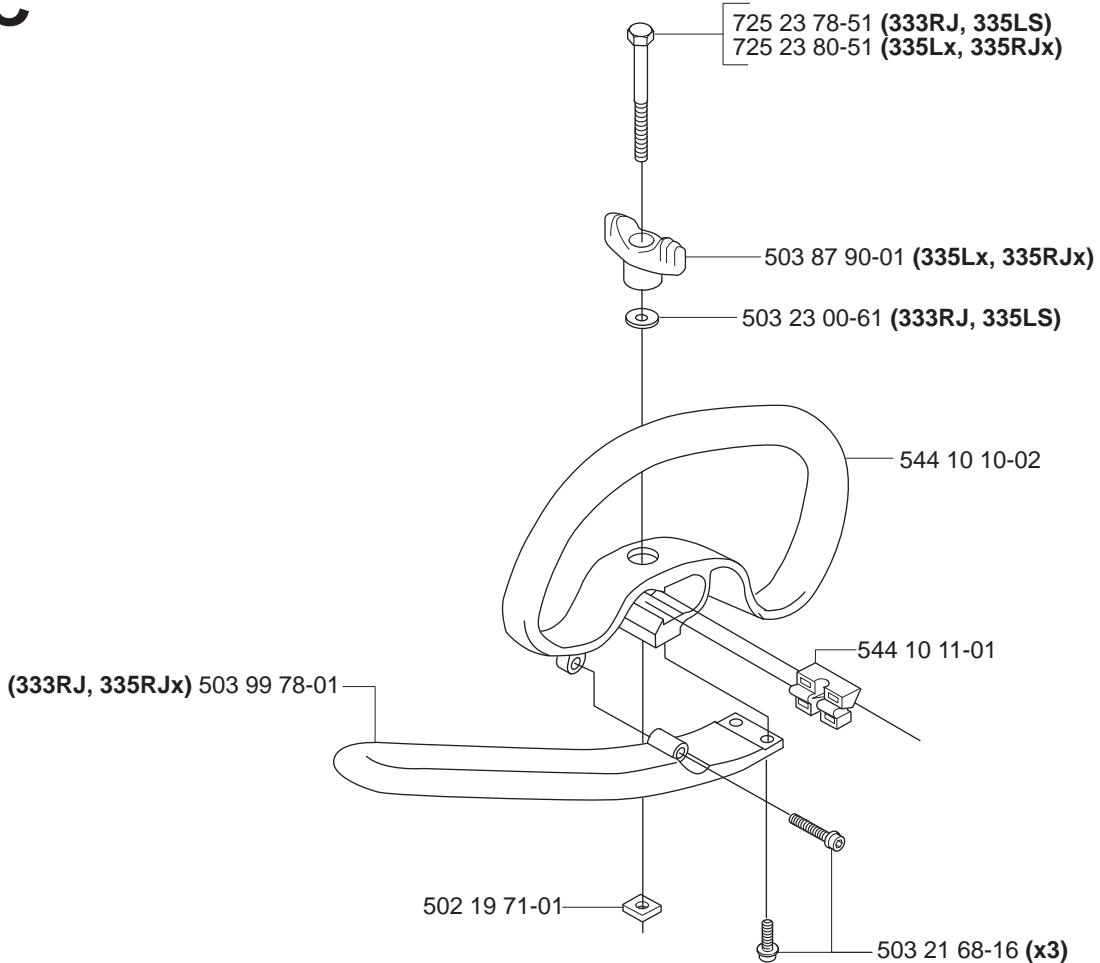


**compl 537 34 97-01

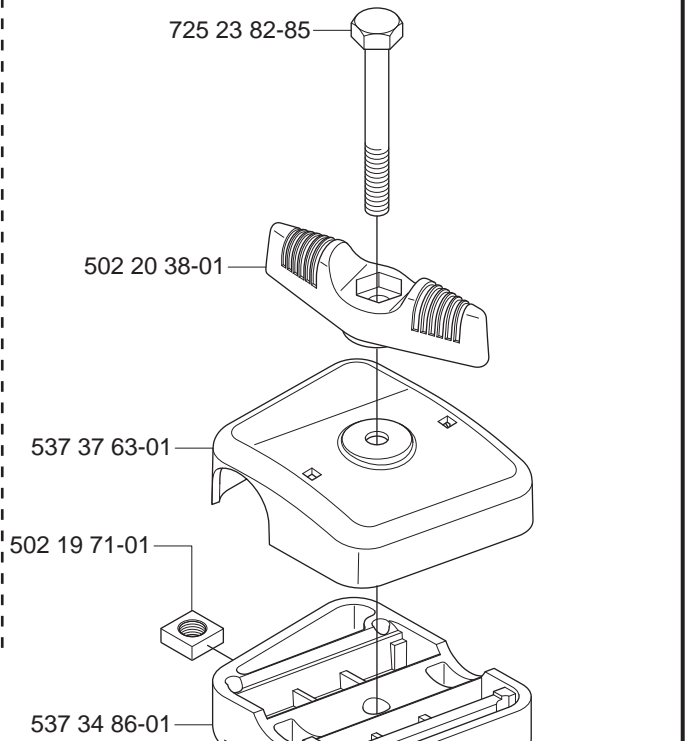
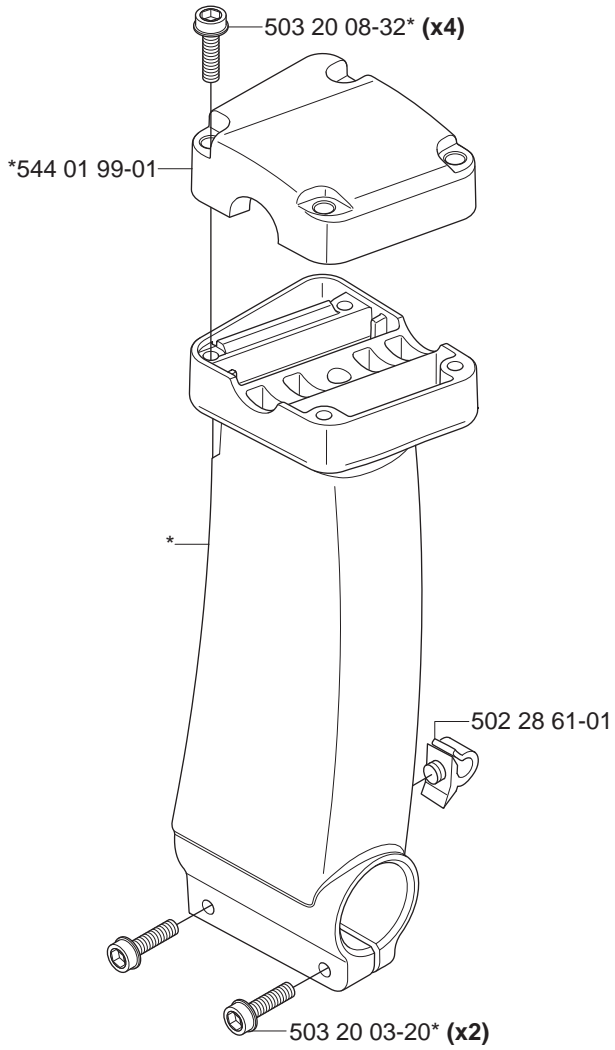


B

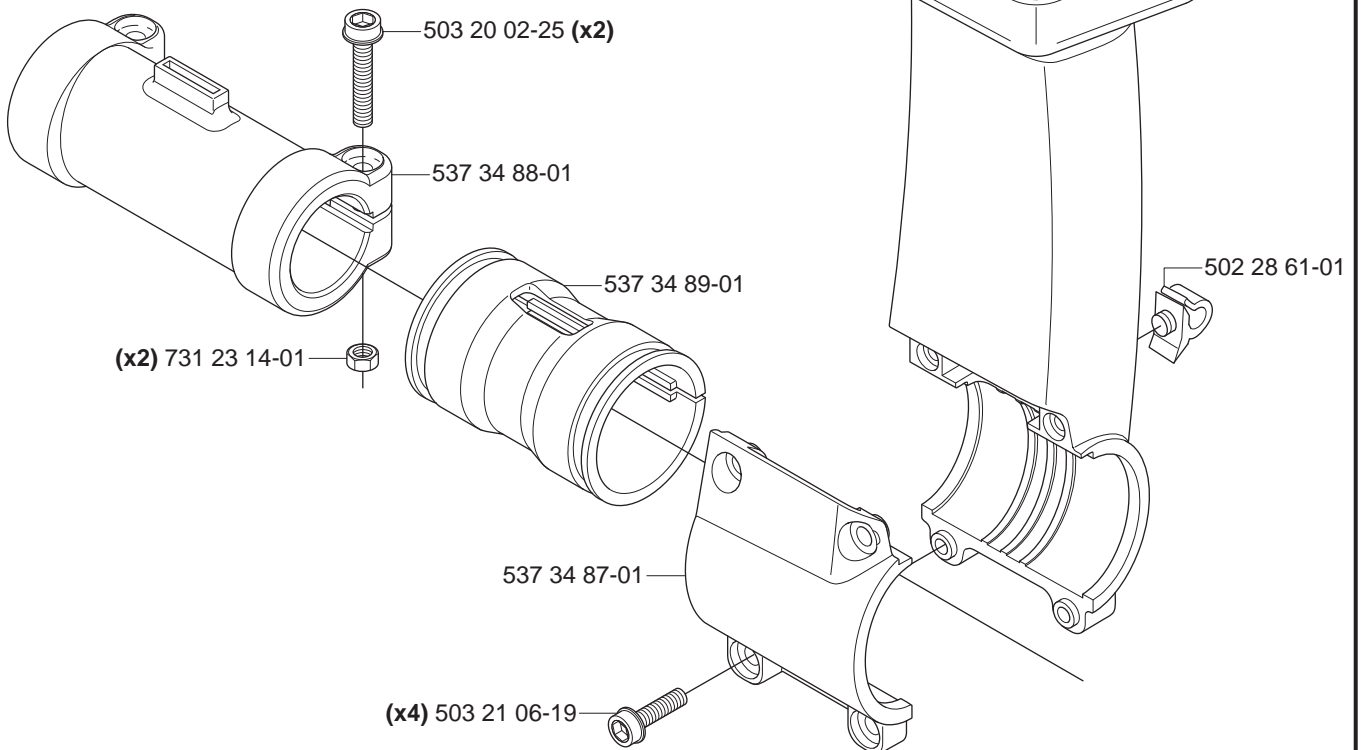
333RJ, 335RJx, 335Lx, 335LS

**C**

D 333R
*compl 544 22 58-01



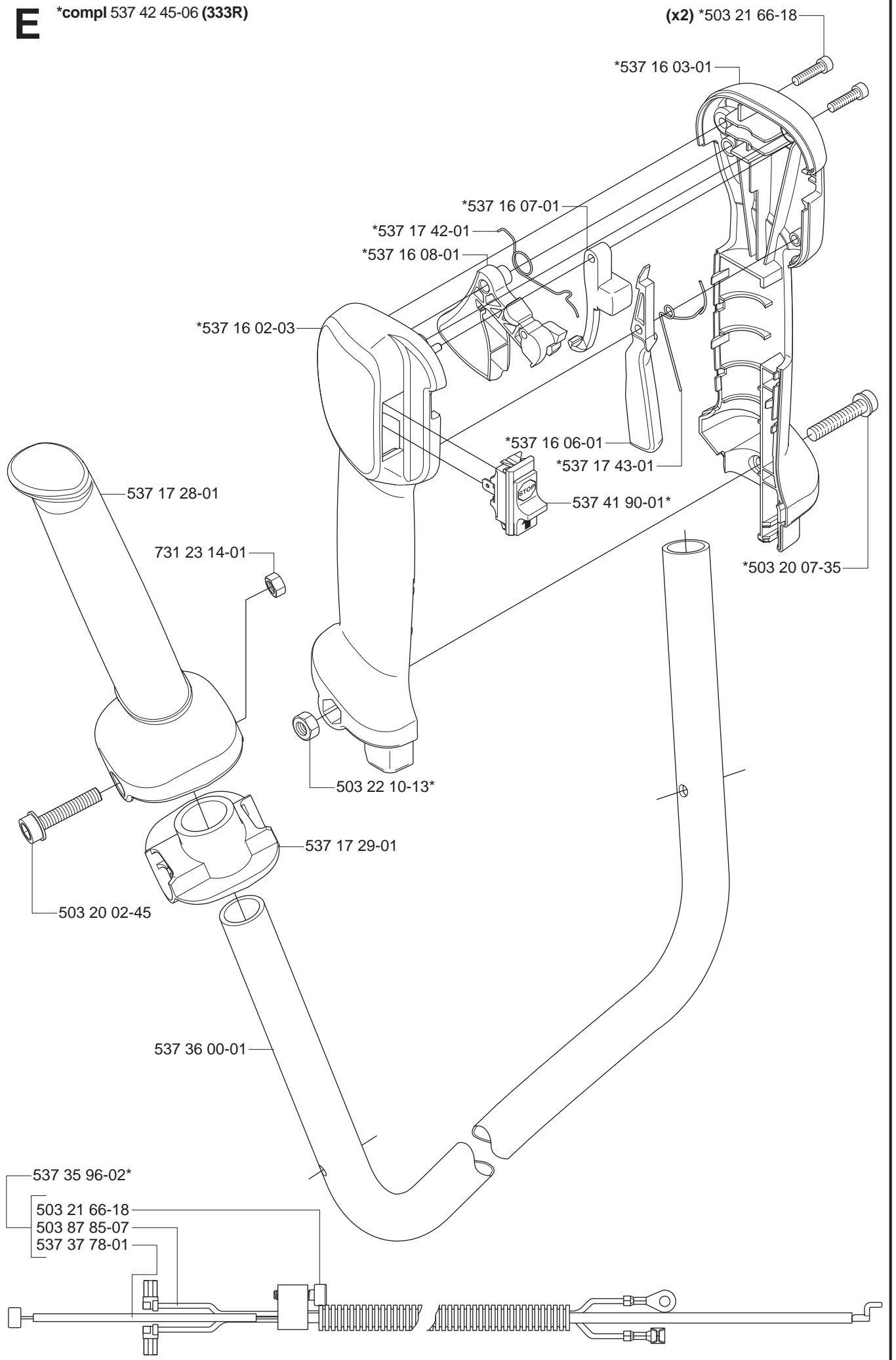
D 335Rx



E

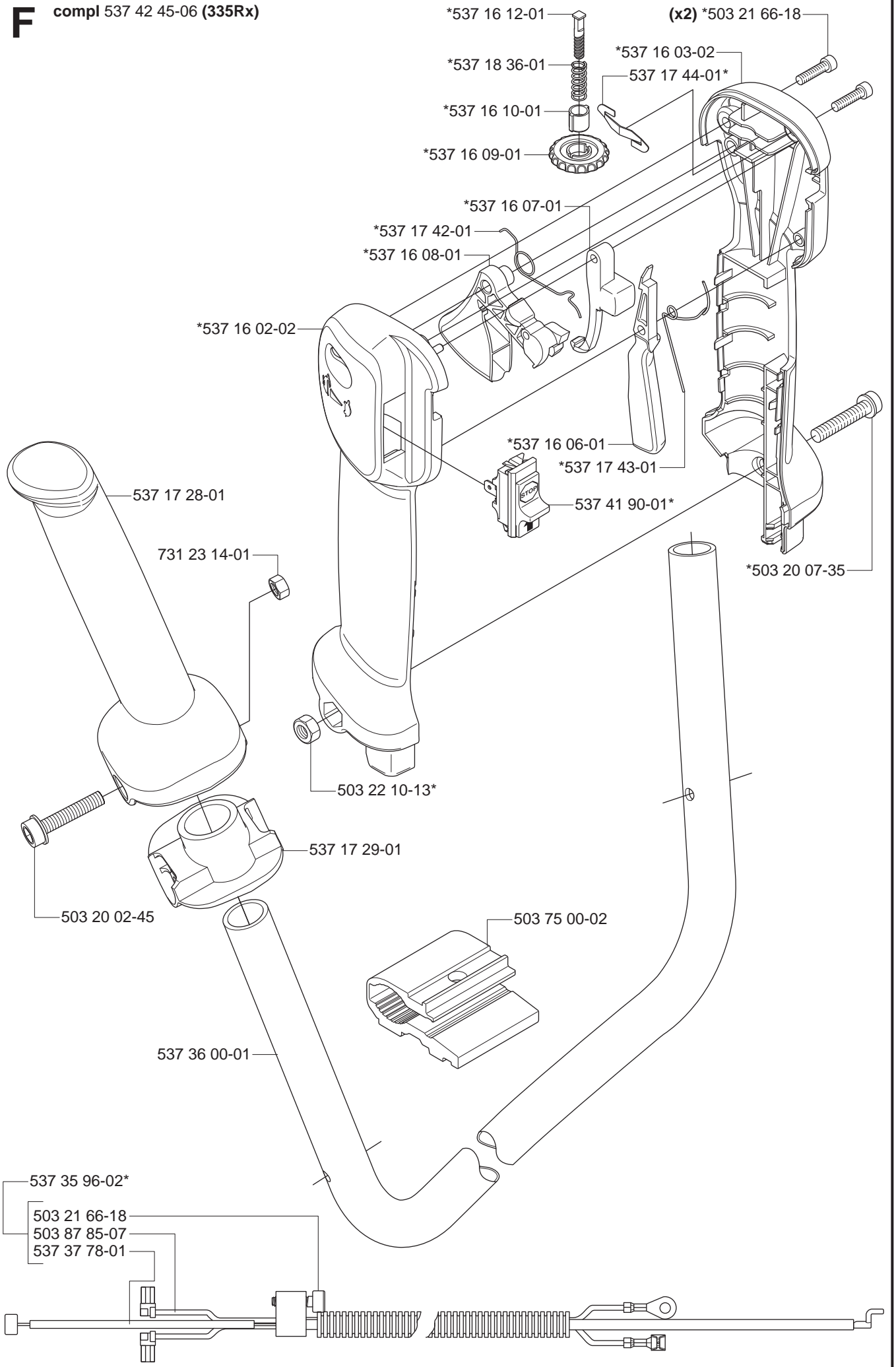
*compl 537 42 45-06 (333R)

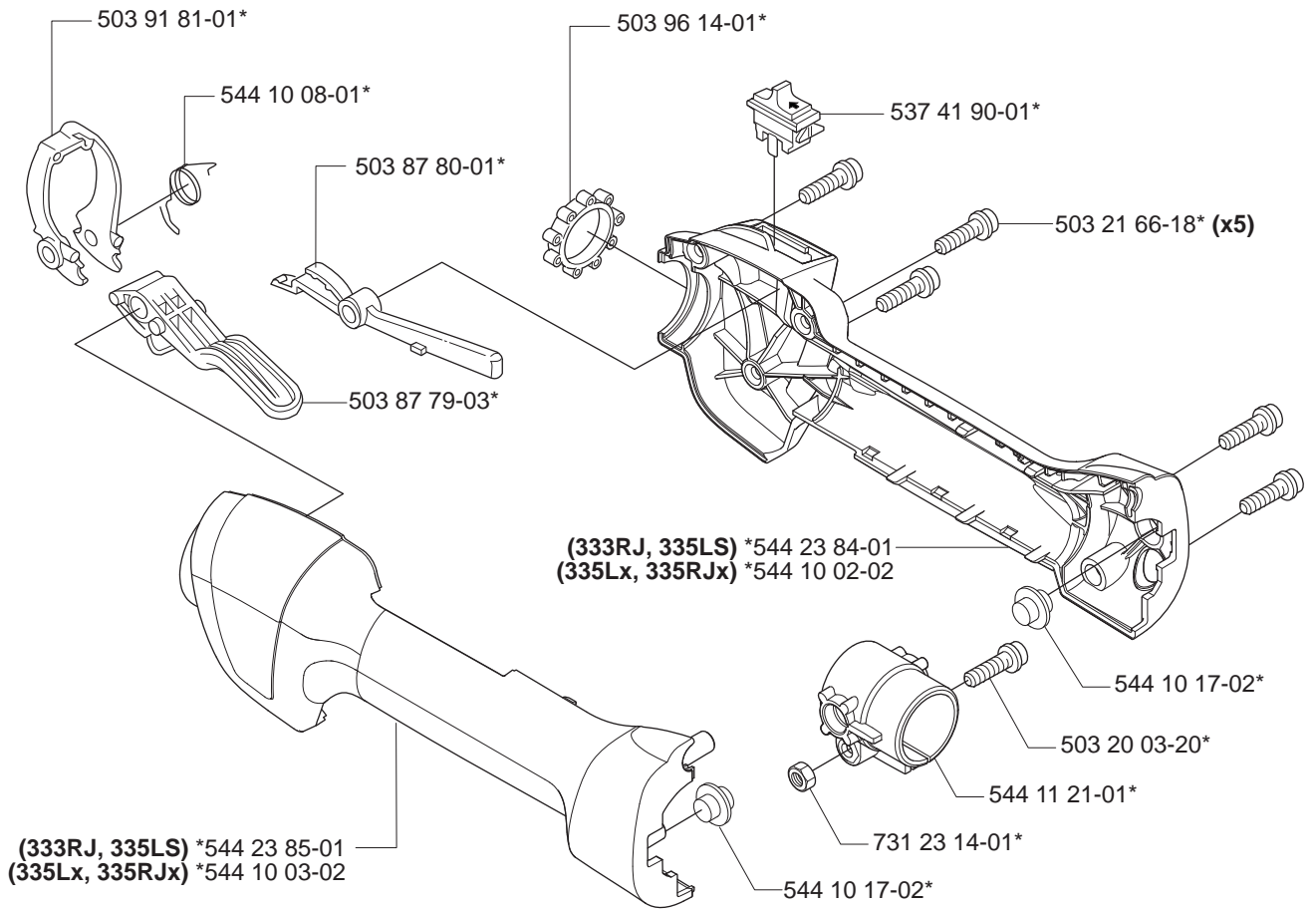
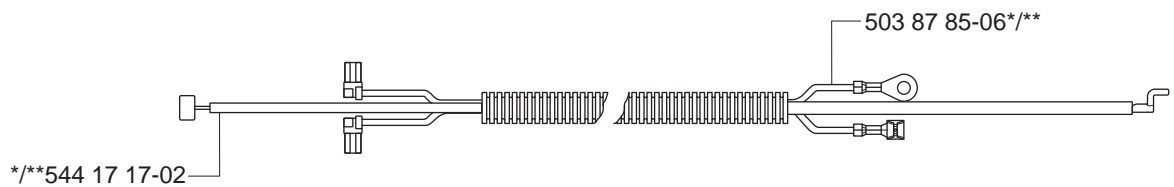
(x2) *503 21 66-18



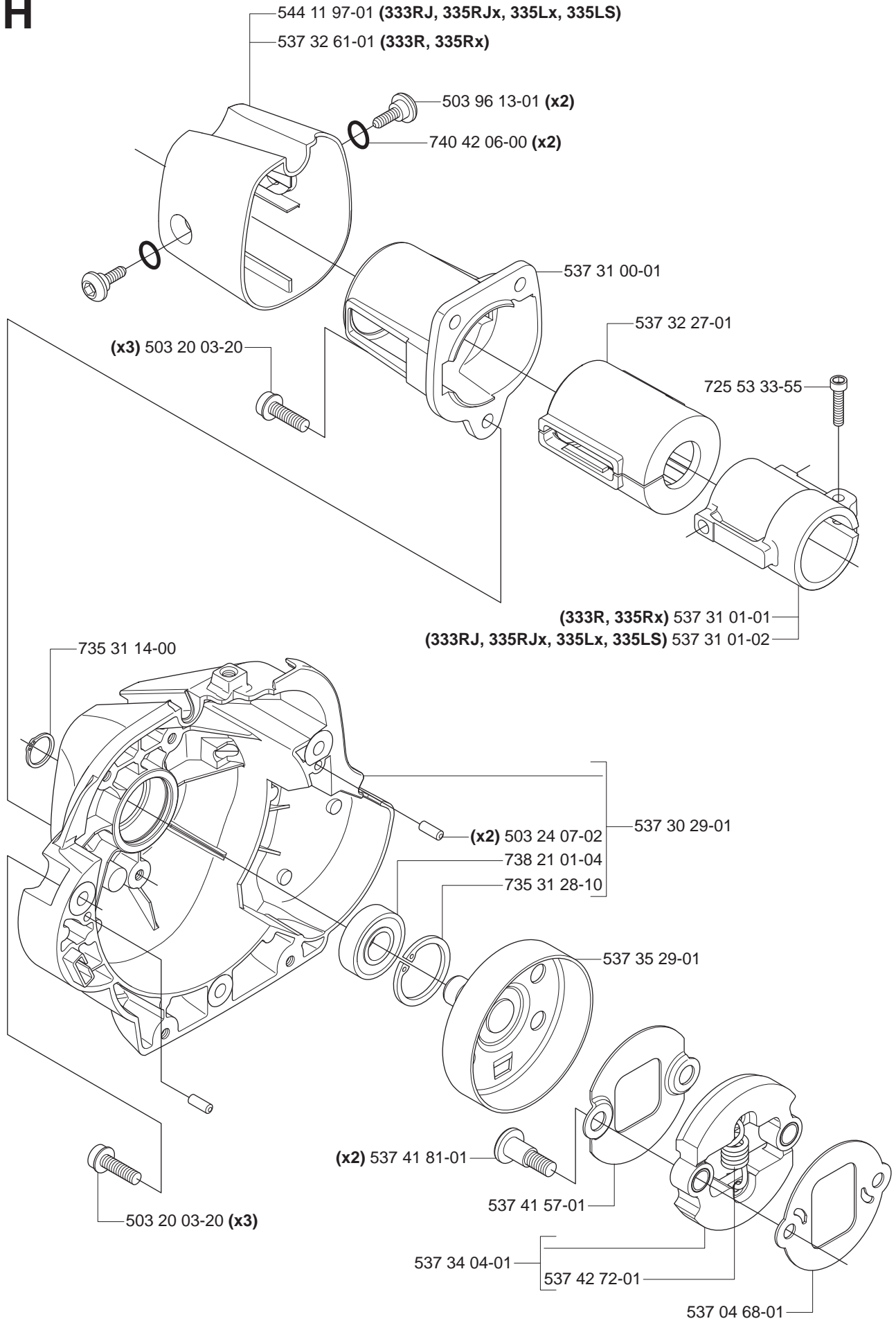
F

compl 537 42 45-06 (335Rx)



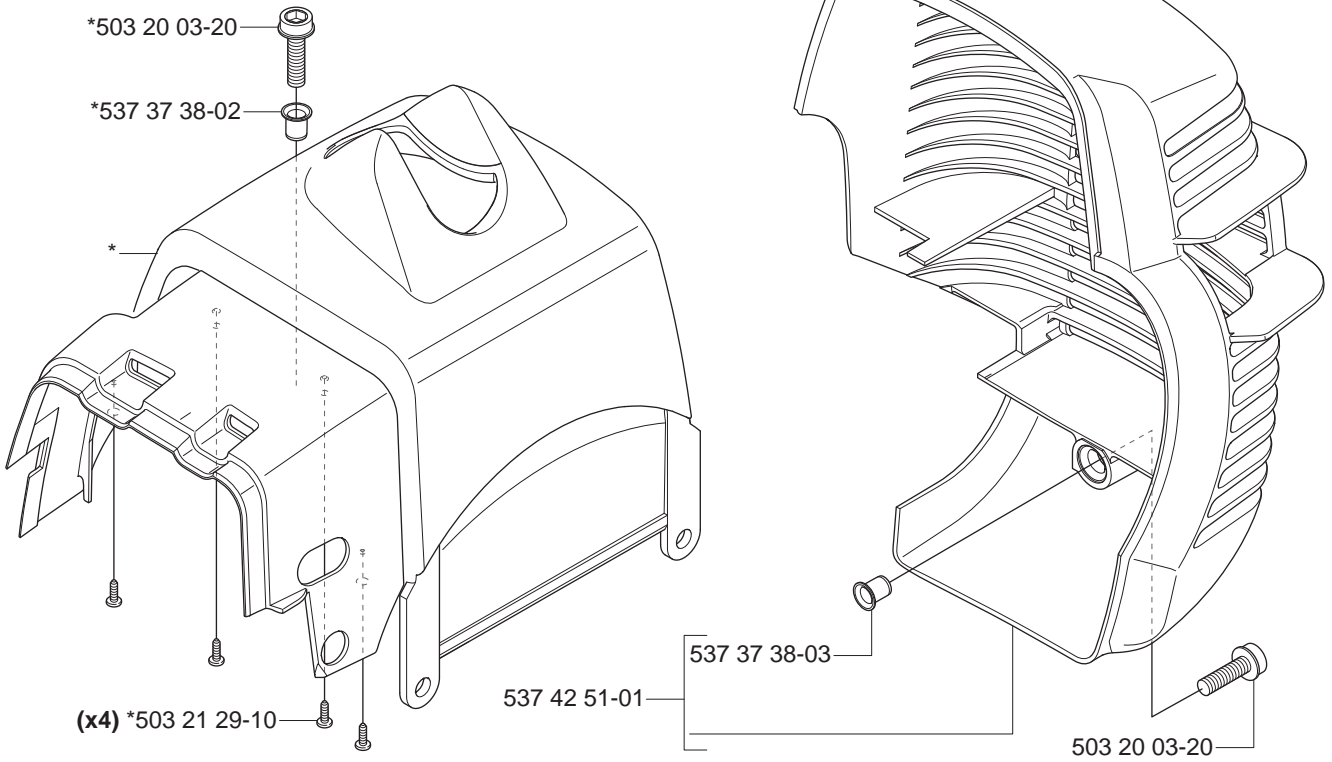
G***compl 544 14 36-02 (333RJ, 335Lx, 335LS, 335RJx)******compl 544 14 49-01**

H



J

*compl 544 16 01-01



(x2) 503 21 75-16

(335LS) 537 39 52-08



(335Lx) 537 39 52-02



(333RJ) 537 39 52-03



(333R) 537 39 52-04



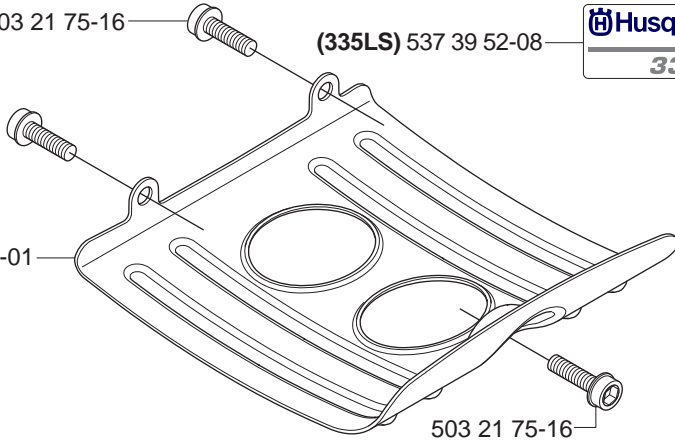
(335RJx) 537 39 52-05



(335Rx) 537 39 52-06



537 35 72-01

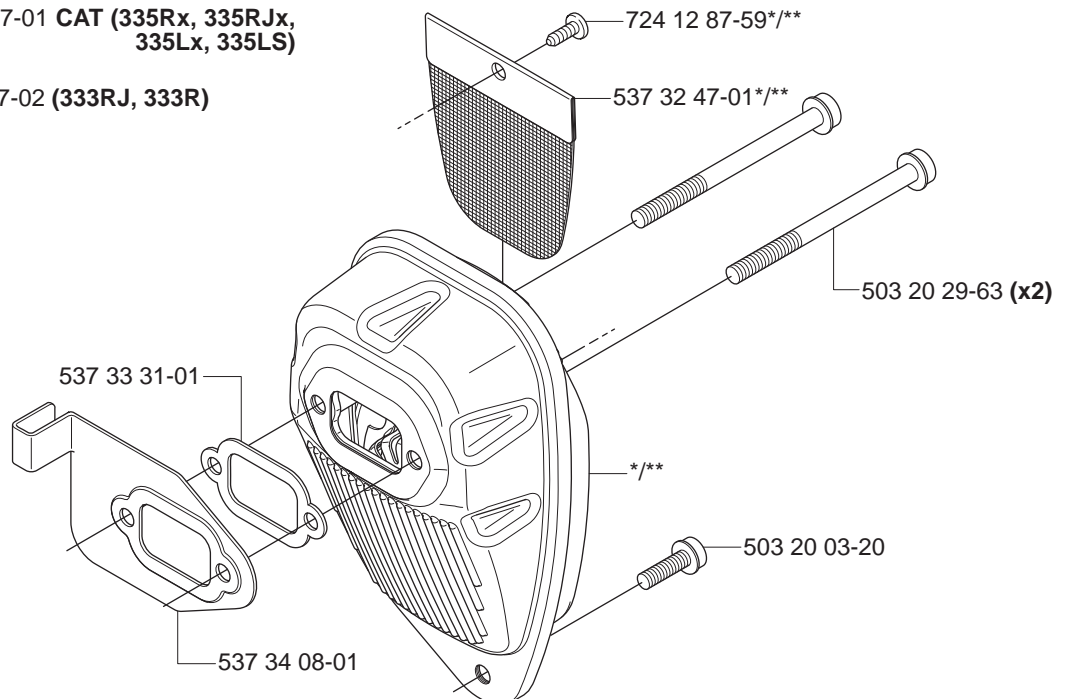


503 21 75-16

K

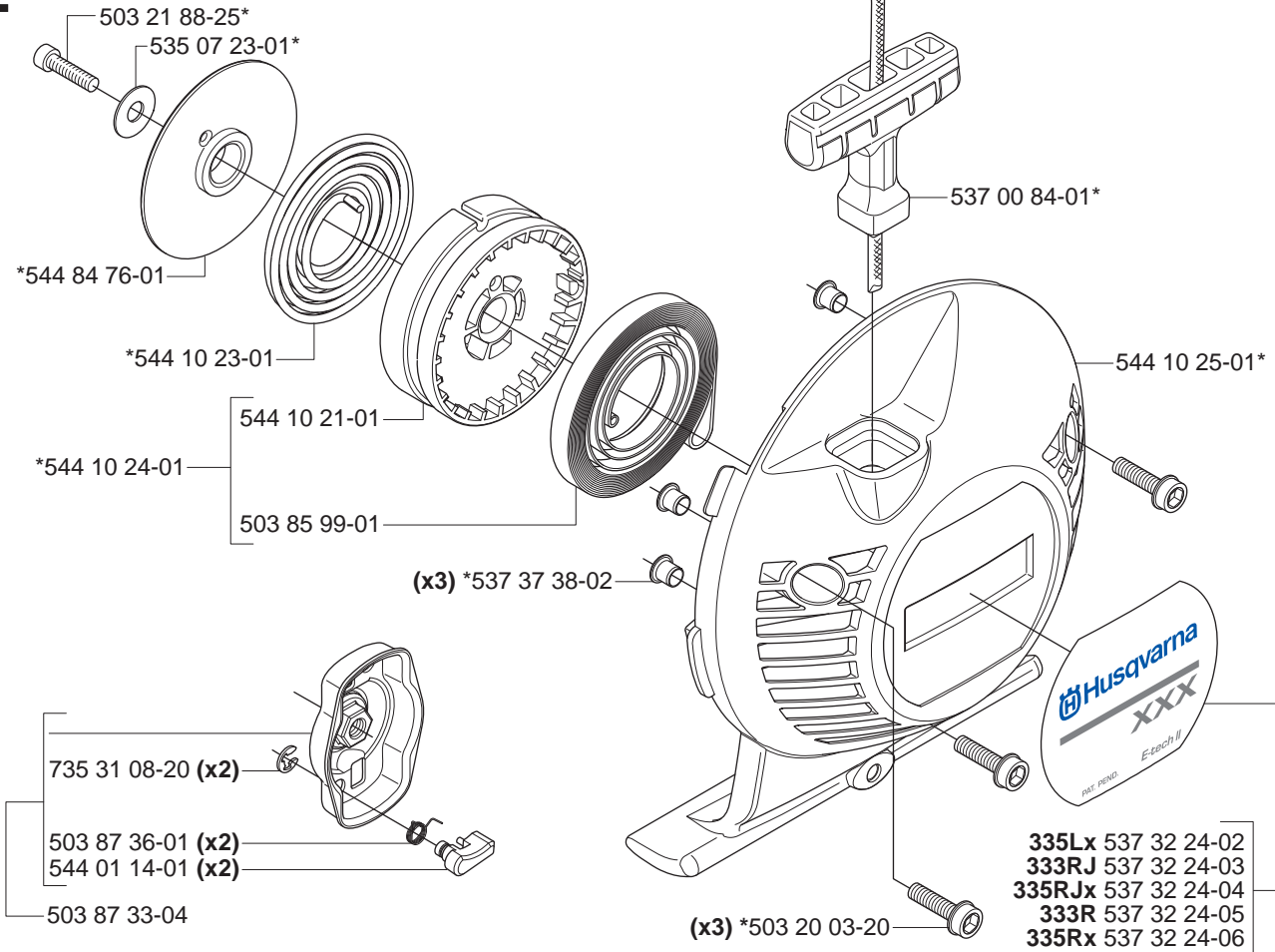
*compl 544 11 67-01 CAT (335Rx, 335RJx, 335Lx, 335LS)

**compl 544 11 67-02 (333RJ, 333R)

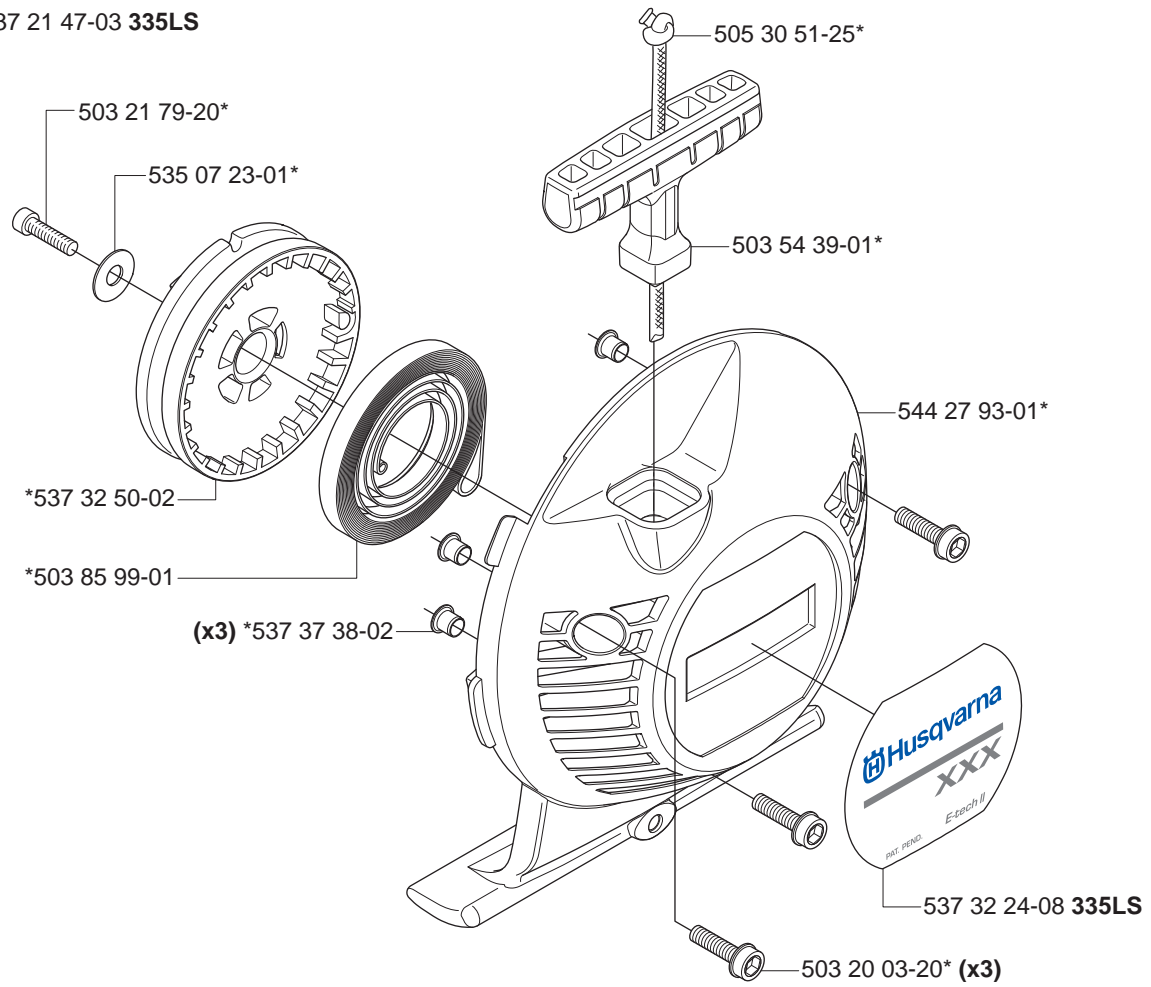


L

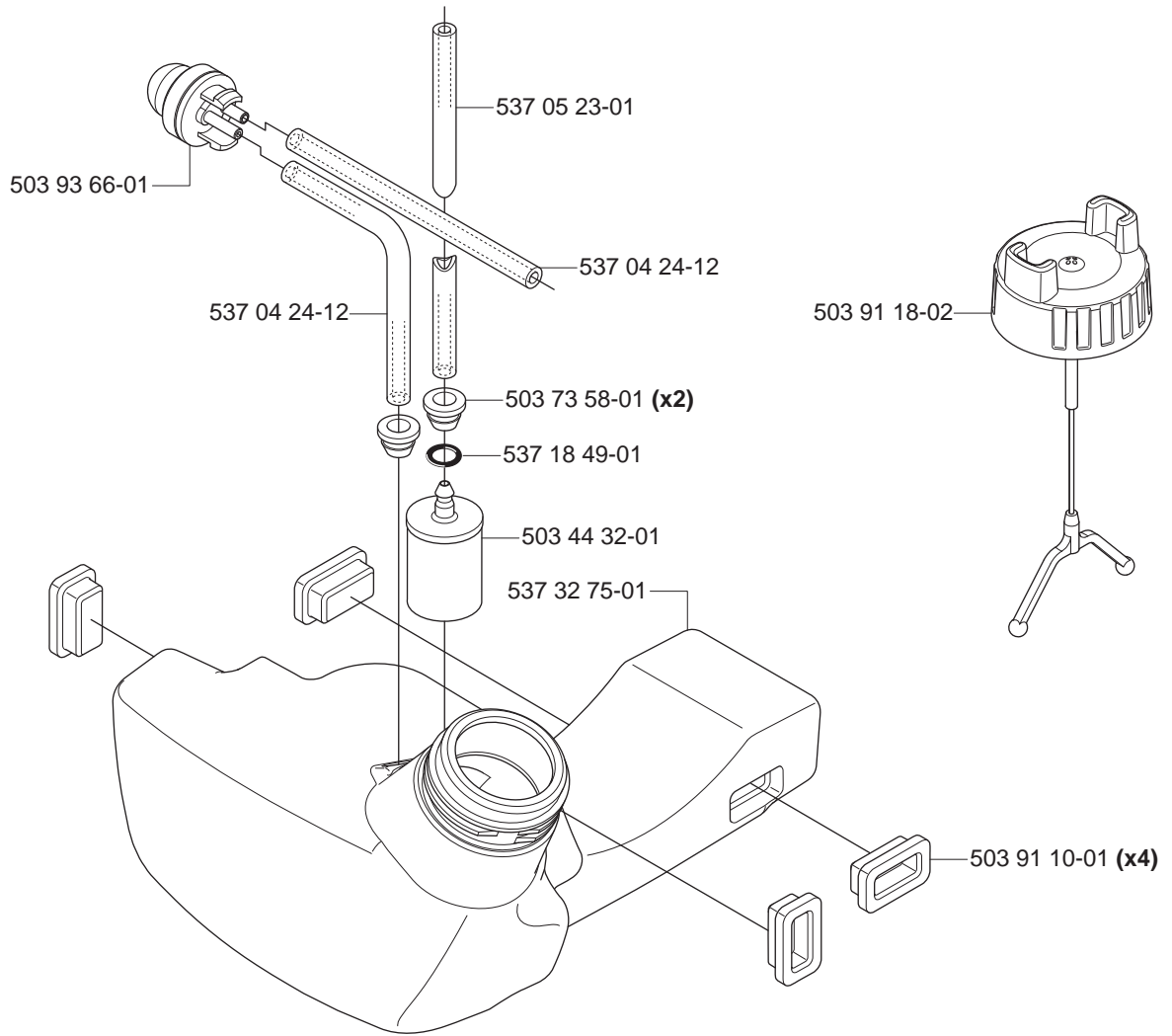
***compl 544 84 77-01**



***compl 537 21 47-03 335LS**



M



N

*compl 537 31 41-01

**compl 537 37 12-01

537 34 13-01

**

537 37 11-01**

544 01 91-01**

537 33 43-01

(x2) **537 37 38-03

(x2) 503 20 03-16

503 49 71-01

544 32 56-01
(ZAMA C1Q-EL36)

503 23 10-06

503 20 03-20

*544 02 58-01

*537 33 71-01

*503 21 29-06

*537 35 58-01

544 37 27-01

*

(x2) 503 21 75-50

537 33 72-01

537 31 42-01

537 31 44-01

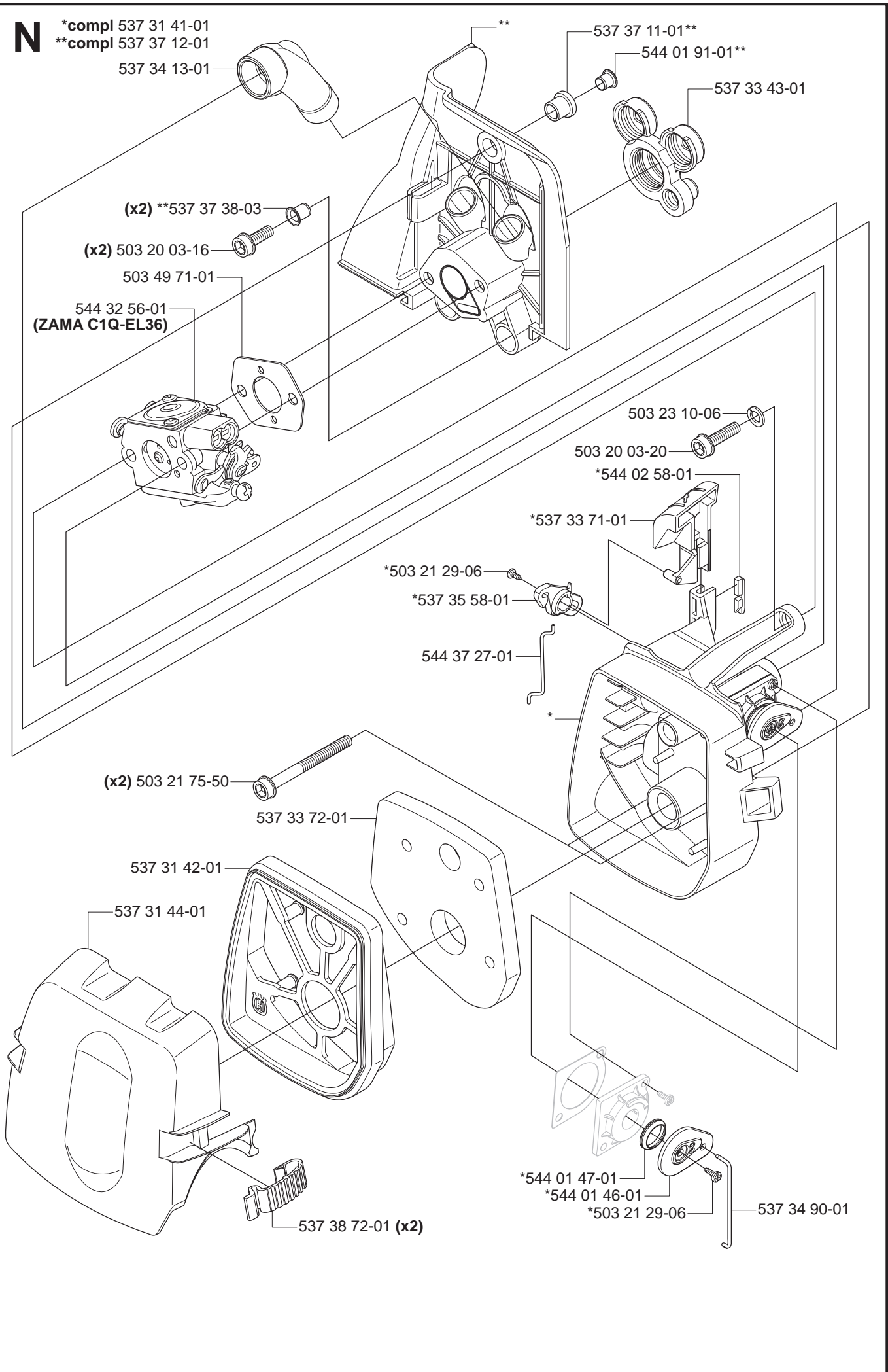
*544 01 47-01

*544 01 46-01

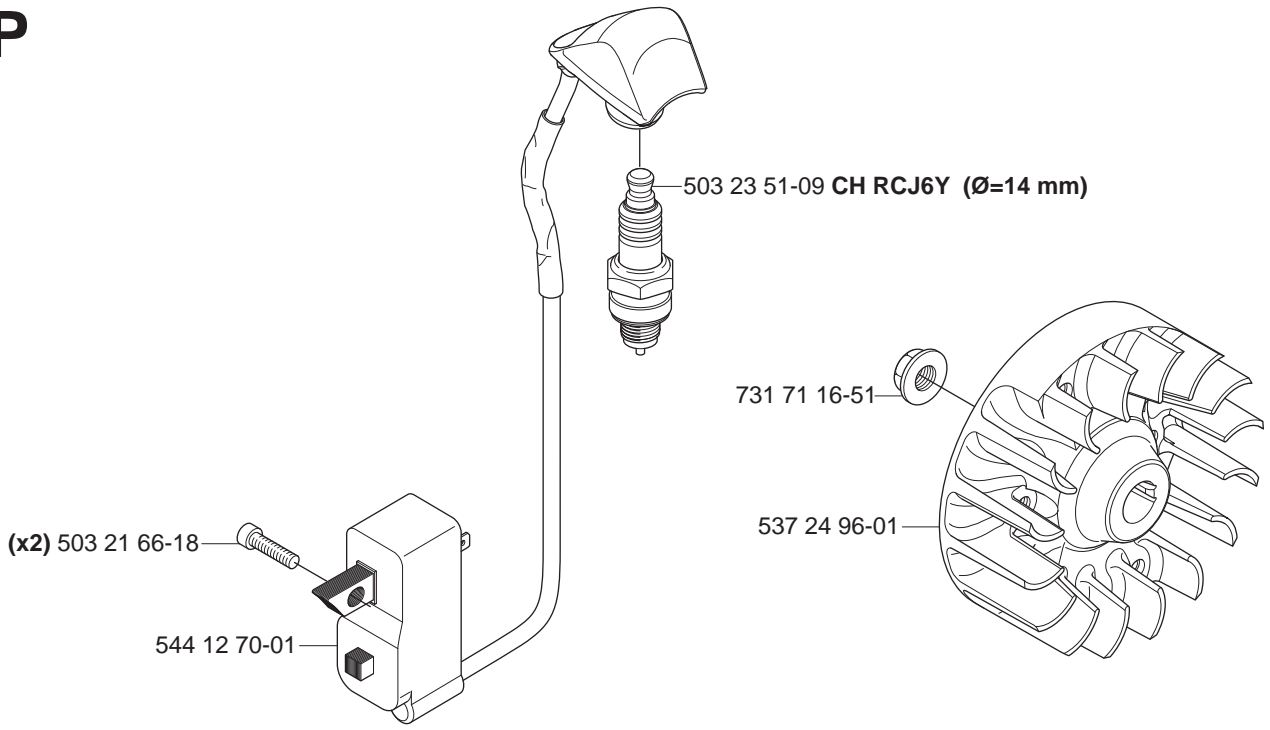
*503 21 29-06

537 34 90-01

537 38 72-01 (x2)

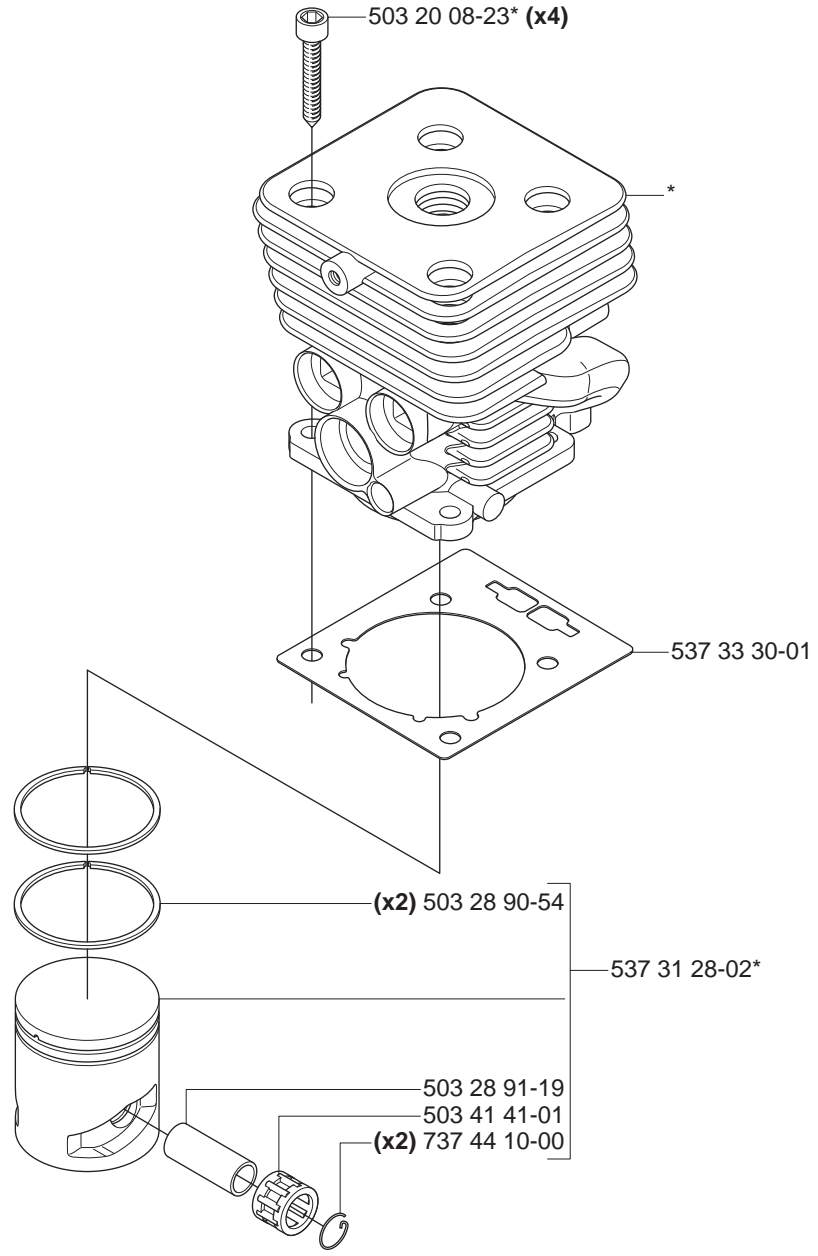


P

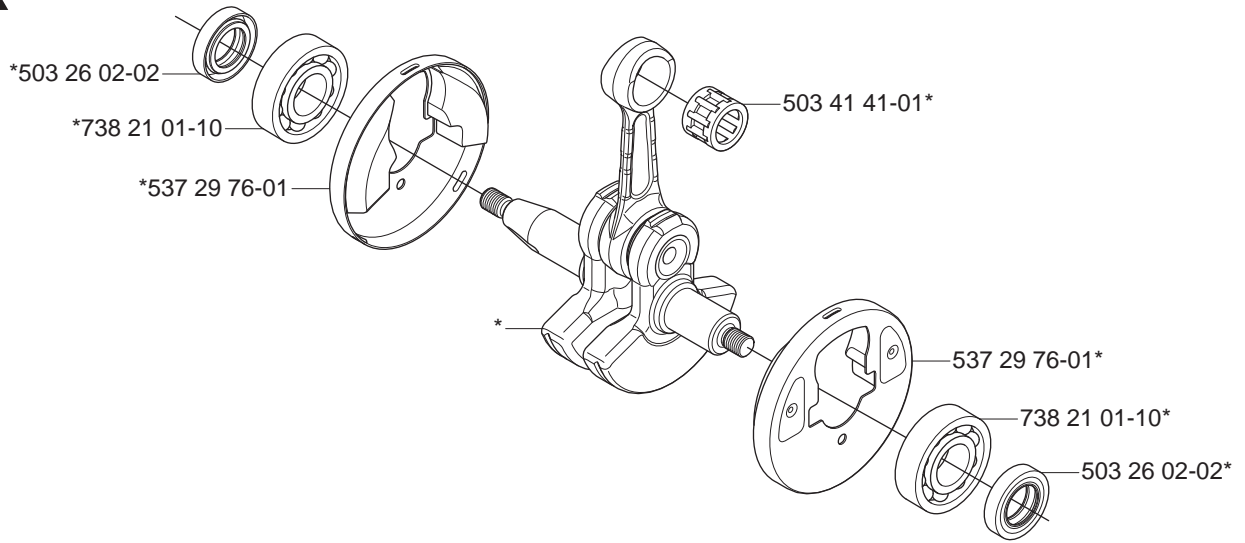


Q

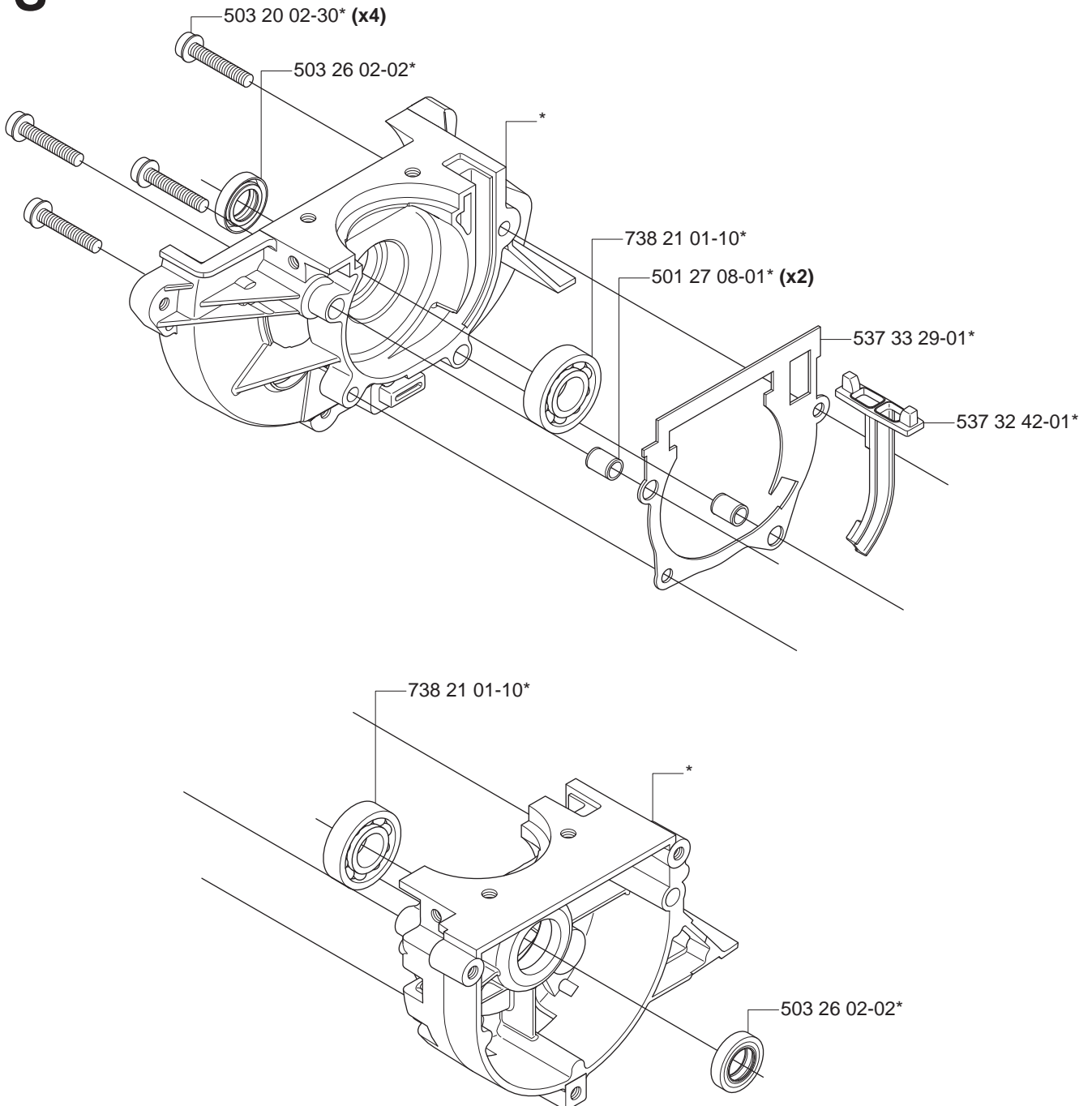
*compl 544 40 06-01 Ø = 38mm



R *compl 544 03 90-01

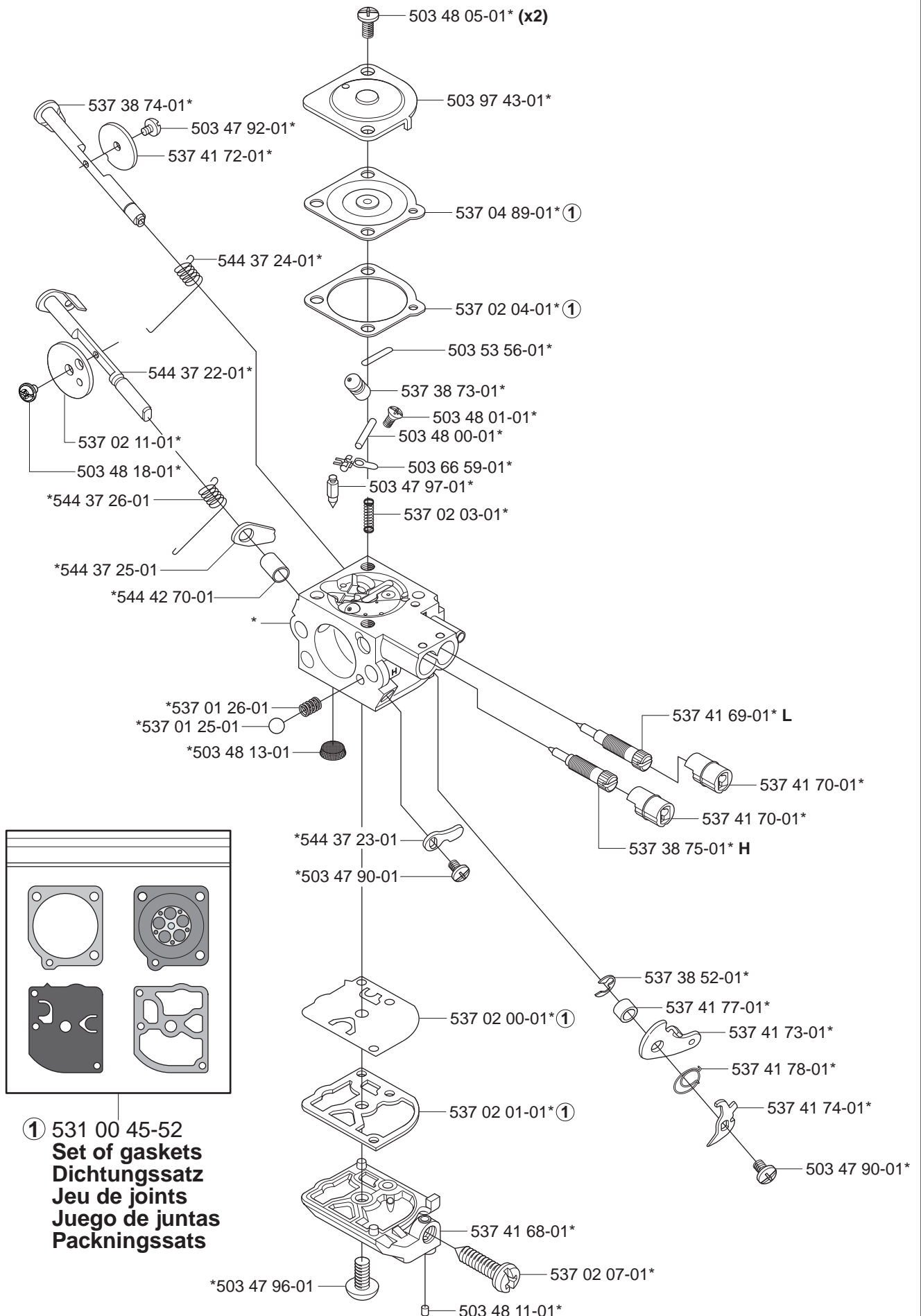


S *compl 544 03 89-01

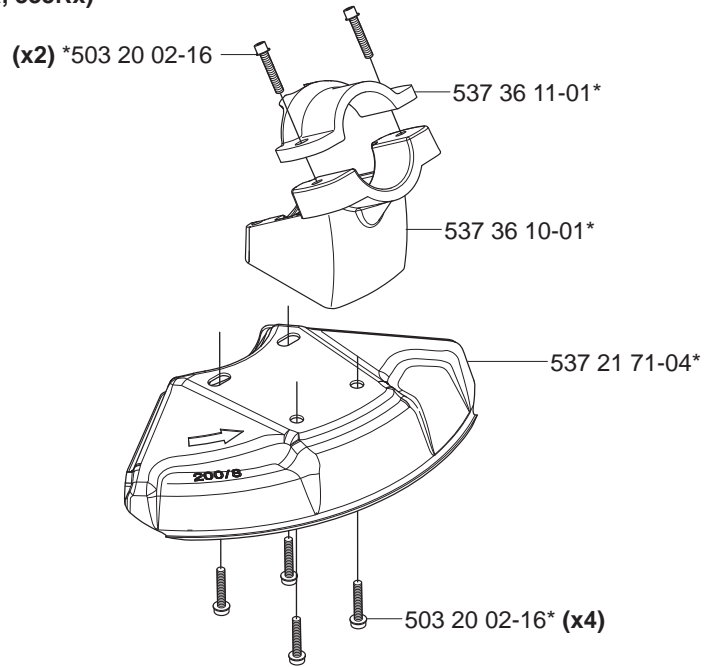


T

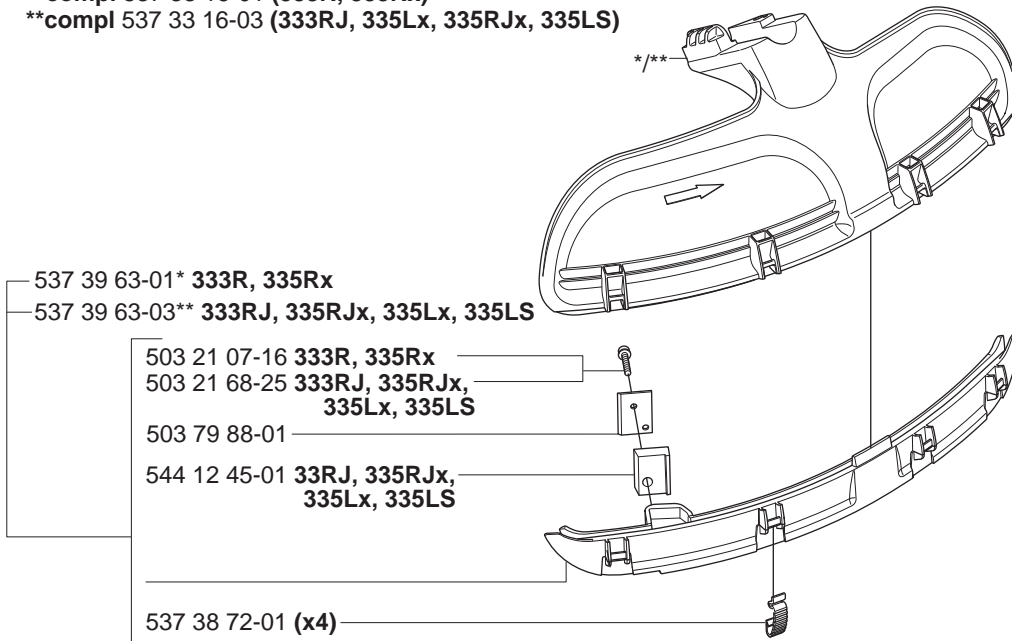
*compl 544 32 56-01 (ZAMA C1Q-EL36)

Zama C1Q-EL36

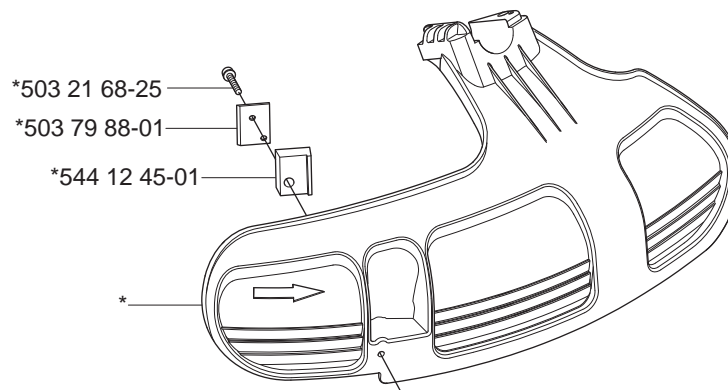
U *compl 537 38 77-01 (333R, 335Rx)



*compl 537 33 16-01 (333R, 335Rx)
**compl 537 33 16-03 (333RJ, 335Lx, 335RJx, 335LS)

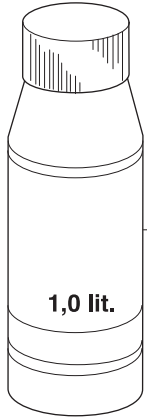


*compl 537 34 94-03

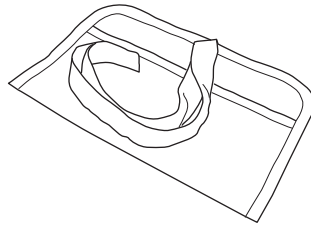


V Accessories
Zubehöre
Accessoires
Acessorios
Tillbehör

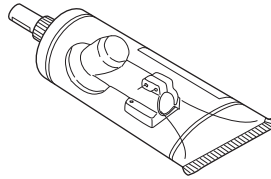
Oil Airfilter
Öl Luftfilter
Huile Filtra aire
Aceite Filtro Air
Olja Luftfilter



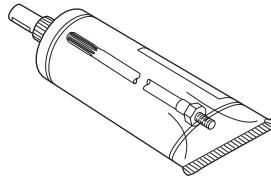
531 00 92-48



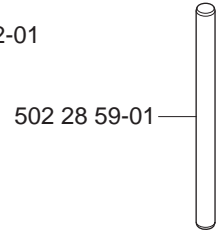
501 19 22-01



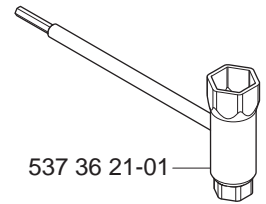
503 97 64-01



503 80 17-01

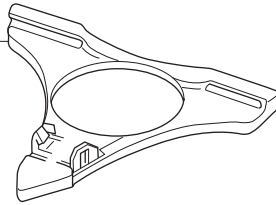


502 28 59-01

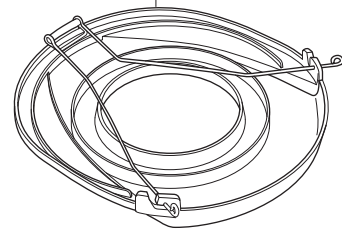


537 36 21-01

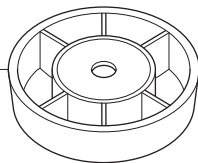
(300mm) 502 26 23-01



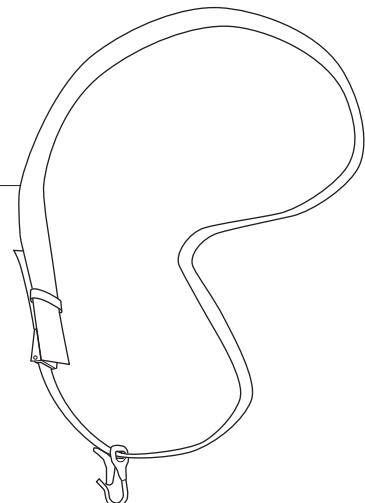
537 31 29-01 **(200-275 mm)**



503 89 01-02



537 21 62-01
USA 537 21 62-02



X Duo Balance
compl 537 27 57-02
compl 537 27 57-04 US

